

# VIAVI

## Multi-Fiber MPO based Switch Module

All-in-one integrated solution automating OTDR tests of native MPO and high fiber count cables

Well suited for use in high-density fiber environments, multi-fiber MPO cables eliminate the expense of running individual patch cords for each service turn-up. The use of an on-board MPO switch with an OTDR is the best way to quickly and accurately test individual fibers within MPO cables.

**Characterize** individual fibers within high fiber count cables. Easily pinpoint exact locations and characterize each event throughout a complete fiber link.

**Certify** new installations up to industry standards. Eliminate time consuming task of testing each individual fiber and the complexities of using fan-out/break-out cables.

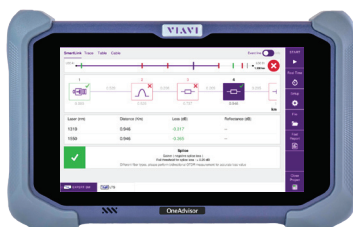
**Troubleshoot** issues at the press of a button. Speed fiber fault location with precise localization of issues like severe bends, high-loss splices and dirty or poor connections.



Multi-Fiber MPO based Switch Module



T-BERD/MTS-4000 V2 Two-slot handheld modular platform for testing fiber optic networks



OneAdvisor 800 Modular Test Platform designed for the installation and maintenance of wireline and wireless networks

### Benefits

- Save time for all your high fiber count cable characterization, certification and troubleshooting
- Measure with confidence with reduced manual process and complexity

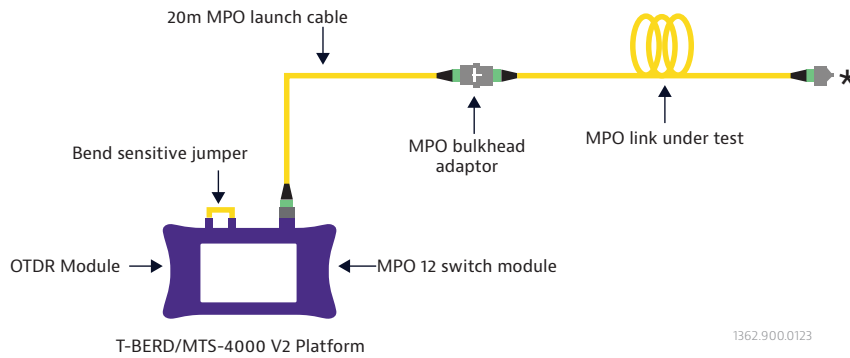
### Features

- All in one/integrated solution
- Replaces multi-fiber fanout patchcords where native MPO links installed
- Efficient workflow with automated switching over 12 ports through Cable-SLM software
- Compatible with all 4100 series OTDR A, B, and FiberComplete B modules

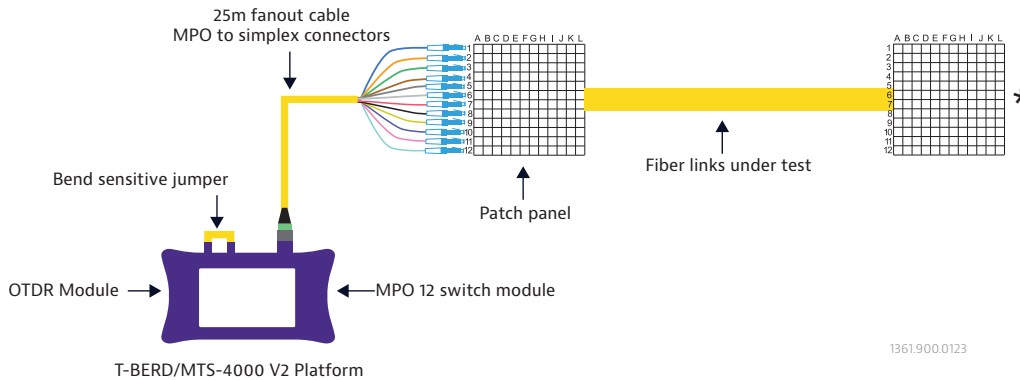
### Applications

- Data Center (structured cabling, campus, interconnect)
- FTTH (fiber indexing) /Access Networks
- Mobile Fronthaul (FTTA/C-RAN)

- An onboard MPO based switch for certifying native MPO links

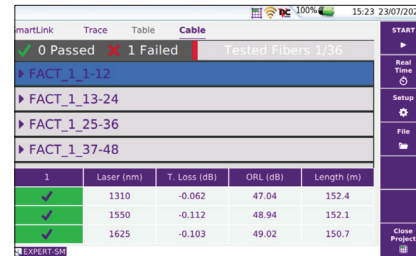


- An onboard MPO based switch module with fanout/breakout cable for batch certification of multiple fibers

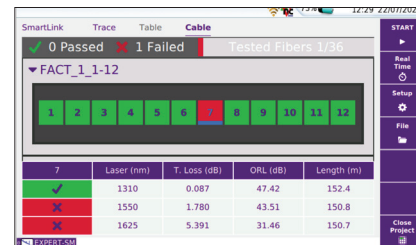


\* Receive cable can be installed at the far end to characterize the last connector.

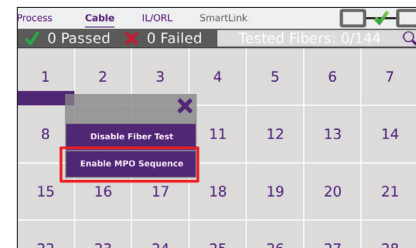
- Cable-SLM application with an intuitive interface provides an overview of a full project with pass/fail status of each 12-fiber MPO connector tested



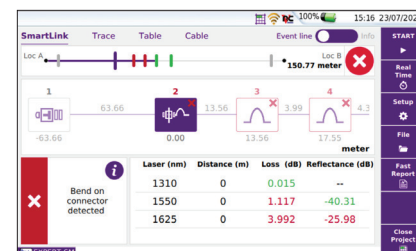
- A "Test All Fibers" function that initiates a fully automated test sequence and delivers a visual verdict of each individual fiber of a 12-fiber MPO connector



- Batch certify simplex fibers within high fiber count cables, manage groups of 12 fibers with a switch sequence starting at any fiber number needed with the Cable-SLM "simple fiber" project management



- Possibility to troubleshoot a specific fiber and get a precise diagnostic of the fault



## Specifications (Typical at 25°C)

| Optical                        |  |
|--------------------------------|--|
| Wavelength Range               | 1270 nm to 1650 nm                     |
| Insertion Loss <sup>1, 2</sup> | 1.2 dB typical                         |
| Input Port                     | SC/APC                                 |
| Output Port                    | MPO 12 APC (pinned)                    |
| General                        |  |
| Dimensions (w x h x d)         | 128 x 134 x 40 mm (5 x 5.28 x 1.58 in) |
| Weight                         | 450 g (1 lb)                           |
| Operating Temperature          | -10 to +50°C (14 to 122°F)             |
| Storage Temperature            | -20 to +60°C (-4 to 140°F)             |

<sup>1</sup>Measured at 1310, 1550 and 1625nm

<sup>2</sup>2.5 dB maximum

## Ordering Information

| Part Number                      | Description  |
|----------------------------------|--|
| <b>MPO Switch Module and Kit</b> |  |
| E41MPO12SM                       | MPO 12 switch module for T-BERD/MTS-4000 V2 Platform<br>Includes:<br><ul style="list-style-type: none"> <li>1x 30cm SC/APC to SC/APC bend insensitive jumper</li> <li>1x 30cm SC/APC to SC/PC bend insensitive jumper</li> </ul>   |
| MPO12MODKIT-SM                   | MPO 12 switch module kit for T-BERD/MTS-4000 V2 Platform<br>Includes:<br><ul style="list-style-type: none"> <li>1x E41MPO12SM</li> <li>2X 20m SM launch and receive MPO to MPO cables (pinned-unpinned)</li> <li>2x MTP/MPO bulkhead adapter with opposed key</li> </ul> |
| <b>Software Options</b>          |  |
| ECABLESLM                        | OTDR Cable management software option for new modules. Allows the configuration of an automatic switch sequence.   |
| ECABLESLM-UPG                    | OTDR Cable management software option for installed modules. Allows the configuration of an automatic switch sequence.   |
| <b>Accessories</b>               |  |
| ELCSM25A-MPOF-MPOM               | 1x 20m SM MPO unpinned to MPO pinned launch cable  |
| ELCSM25A-MPOF-MPOF               | 1x 20m SM MPO unpinned to MPO unpinned cable   |
| EMPOTERM-F                       | SM MPO unpinned reflective terminal (for ORL referencing with FiberComplete bi-directional modules)  |
| EMPOTERM-M                       | SM MPO pinned reflective terminal (for ORL referencing with FiberComplete bi-directional modules)  |
| ELCSM25-MPO-SC                   | 1x 25m SM fanout launch cable MPO unpinned to SC/PC  |
| ELCSM25-MPO-SCA                  | 1x 25m SM fanout launch cable MPO unpinned to SC/APC   |
| ECLIKCLEANERMPO                  | IBC Cleaning Tool for MTP/MPO connectors   |



Contact Us **+1 844 GO VIAMI**  
(+1 844 468 4284)

To reach the VIAMI office nearest you,  
visit [viavisolutions.com/contact](https://viavisolutions.com/contact)

© 2023 VIAMI Solutions Inc.  
Product specifications and descriptions in this document are subject to change without notice.  
Patented as described at  
[viavisolutions.com/patents](https://viavisolutions.com/patents)  
mpos-ds-fop-nse-ae  
30186213 905 0323

[viavisolutions.com](https://viavisolutions.com)