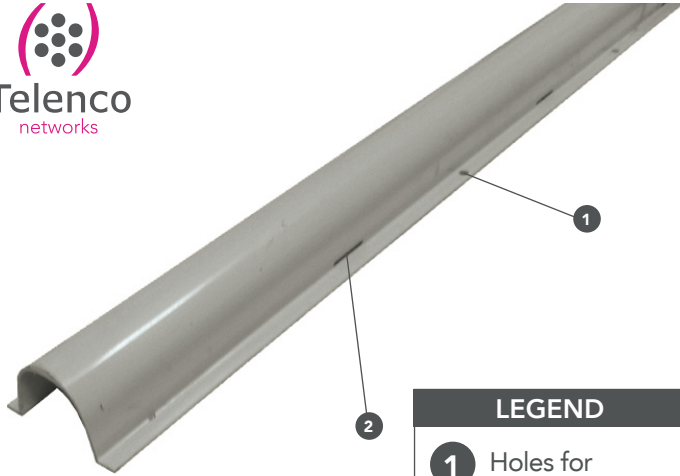


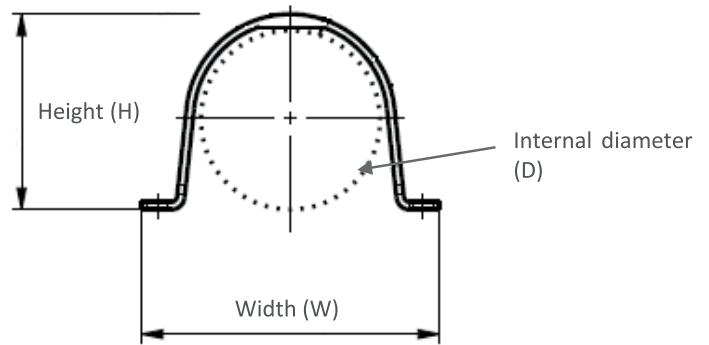
TELENCO® GPC PVC PROTECTIVE COVER



LEGEND	
1	Holes for fastening with screw
2	Slots for fastening with pole band

Telenco® GPC protective covers ensure the preservation of cable down-leads on facades or poles. PVC extruded, these protective covers present slots regularly distributed lengthwise for their installation with pole band and/or with screw.

Telenco® GPC protective covers are available in 5 different diameters (12, 35, 60, 90 and 120mm), two different lengths (2 and 2.75m) and 3 distinct colours.



DESIGNATION	DIAMETER (mm) (D)	LENGHT (mm) (W)	HEIGHT (mm) (H)	LENGHT (cm)	WEIGHT per unit (kg)	PACKG	PART NUMBERS		
							GREY (RAL7035)	IVORY (RAL1015)	BROWN (RAL8017)
GPC 12 : Protective cover Ø12 lgth 200	12	41.5	15	200	0.33	20 units	2063	2064	2259
GPC 35 : Protective cover Ø35 lgth 200	35	68	40		0.73		0051	5495	
GPC 35 : Protective cover Ø35 lgth 275				275	1	10 units	2615	0053	0052
GPC 60 : Protective cover Ø60 lgth 200	60	100	65.5	200	1.35	5 units	0054	7330	
GPC 60 : Protective cover Ø60 lgth 275				275	1.85	10 units	2616	0056	0055
GPC 90 : Protective cover Ø90 lgth 275	90	130	96		2	5 units	0057	0059	0058
GPC 120 : Protective cover Ø120 lgth 275	120	170	126		3		0060	0062	0061